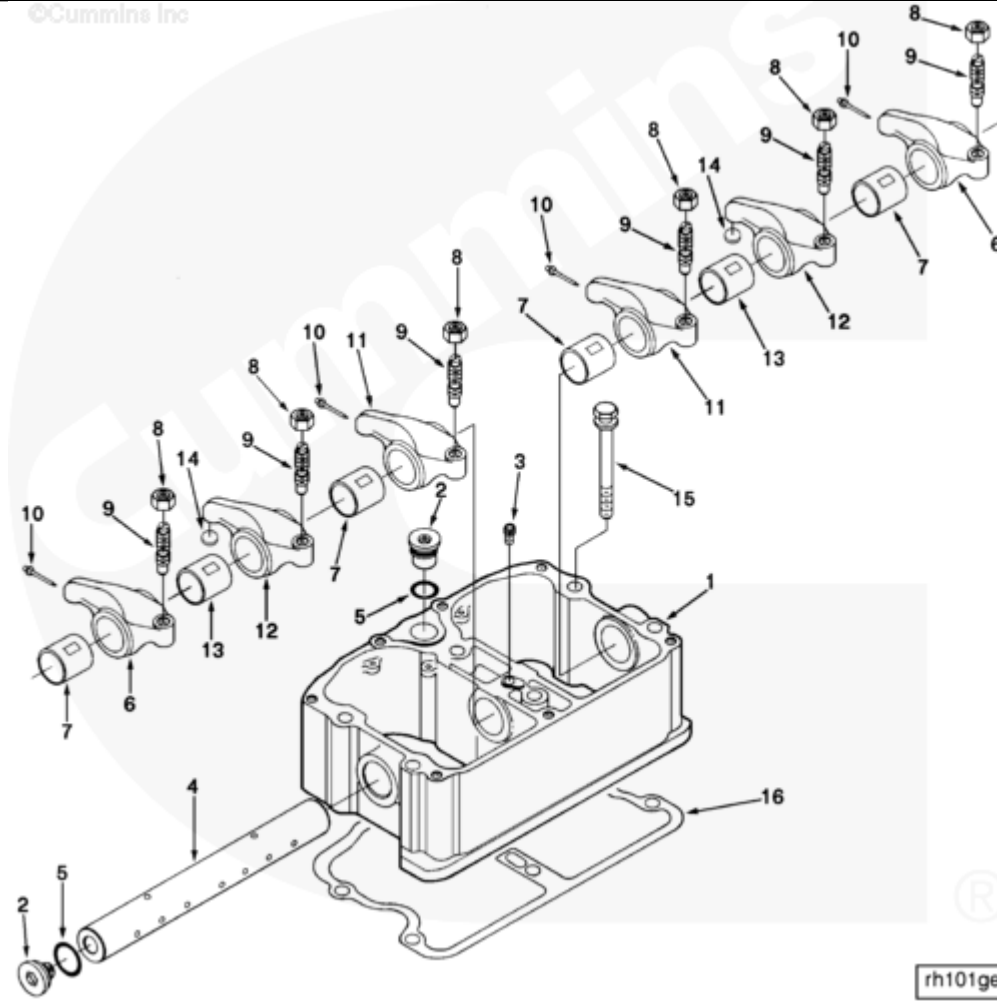




## Parts Catalog - Option Detail

Electronic Parts Catalog - Option Detail				
Option	Group	Graphic	Film Card	Date
BP1126	03.01	rh101ge	F	15-SEP-94
<b>Engines</b>	NH/NT 855, NT495, NT743, NTA855 N106			



rh101ge

[SMALL](#) | [MEDIUM](#) | [LARGE](#)

Cart	Ref No	Part Number	Part Description	Required	Remarks
<a href="#">View My Cart</a>					
		<a href="#">BP1126</a>	Rocker Lever And Housing		
					Rocker Lever And Housing
		<a href="#">AR 3315</a>	Rocker Housing	3	

<input type="checkbox"/>		AR 3307	Rocker Arm Housing	1	Recon equivalent AR 3307 RX
<input type="checkbox"/>	1	3044787	Rocker Lever Housing	1	
<input type="checkbox"/>	2	3038903	Rocker Lever Shaft Plug	2	
<input type="checkbox"/>	3	168319	Socket Set Screw	1	
<input type="checkbox"/>	4	3038904	Rocker Lever Shaft	1	
<input type="checkbox"/>	5	3058653	O-Ring Seal	2	
<input type="checkbox"/>		216296	Vent Plug	1	
<input type="checkbox"/>		BM95162	Rocker Lever	2	Exhaust valve
	6	3017572	Rocker Lever	1	(169705)
<input type="checkbox"/>	7	140330	Bushing	1	
<input type="checkbox"/>	8	S 212	Regular Hexagon Nut	1	1/2 - 20 UNF
<input type="checkbox"/>	9	168306	Slotted Set Screw	1	1/2 - 20 x 2 3/64 inch
<input type="checkbox"/>	10	208084	Rivet	1	
<input type="checkbox"/>		BM95161	Rocker Lever	2	Exhaust valve
<input type="checkbox"/>	7	140330	Bushing	1	
<input type="checkbox"/>	8	S 212	Regular Hexagon Nut	2	1/2 - 20 UNF
<input type="checkbox"/>	9	168306	Slotted Set Screw	2	1/2 - 20 x 2 3/64 inch
<input type="checkbox"/>	10	208084	Rivet	1	
	11	3017571	Rocker Lever	1	(169704)
<input type="checkbox"/>		AR 2308	Rocker Lever	2	Injector
<input type="checkbox"/>	8	S 212	Regular Hexagon Nut	1	1/2 - 20 UNF
<input type="checkbox"/>	9	168306	Slotted Set Screw	1	1/2 - 20 x 2 3/64 inch
	12	AR 2307	Rocker Lever	1	(218152)
<input type="checkbox"/>	13	218153	Bushing	1	
<input type="checkbox"/>	14	194037	Rocker Lever Socket	1	
<input type="checkbox"/>	15	3010589	Captive Washer Cap Screw	6	1/2 - 13 x 4 3/4 in.
<input type="checkbox"/>	16	3017750	Rocker Lever Housing Gasket	1	